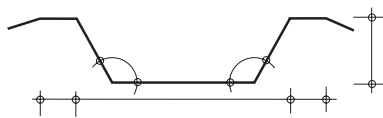
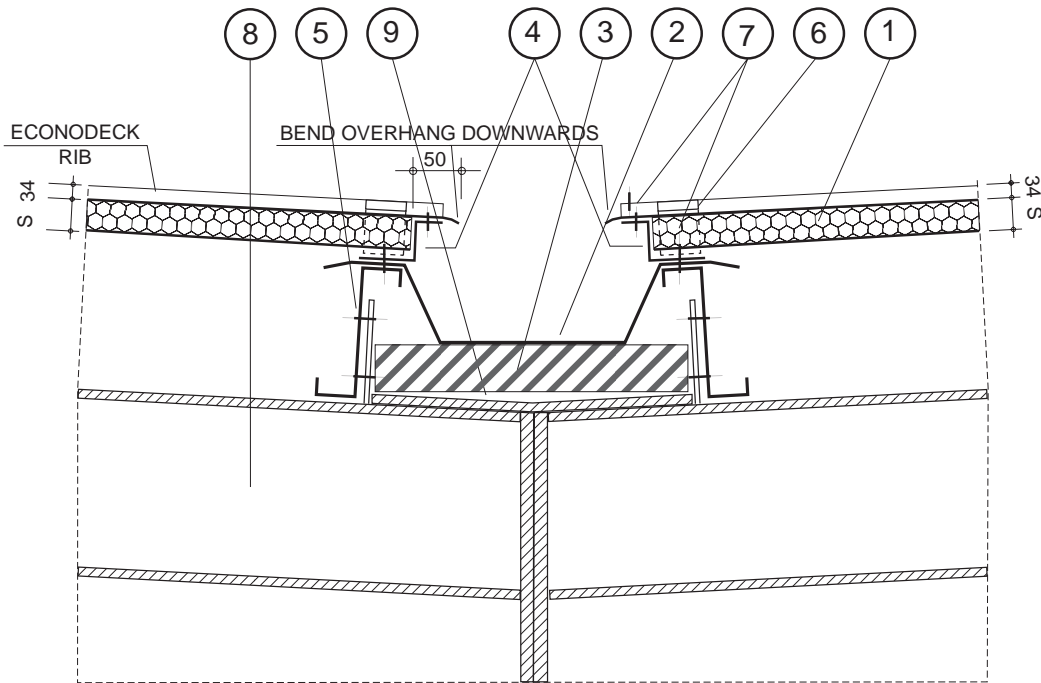
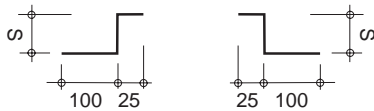
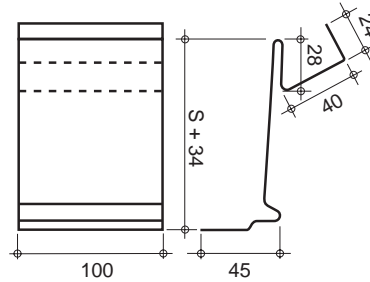


A.13 EPS CORE INSULATED BUILDINGS



2

6



4

S 75 100 125 SCALE 1:5

1	ECONODECK ROOF PANEL	S= mm	
2	VALLEY GUTTER metres	COLORBOND
3	GUTTER SUPPORT	to engineer's detail	
4	'Z' FOLD FLASHING metres	COLORBOND
5	ROOF PURLIN & PLATE		GALV. STEEL
6	ECONODECK CLIP	1mm thickness	GALV. STEEL
7	POP RIVET mm	
8	PORTAL RAFTER		RSJ
9	BRIDGING MEMBER		STEEL PLATE
POS	ITEM & DIMENSIONS		MATERIAL