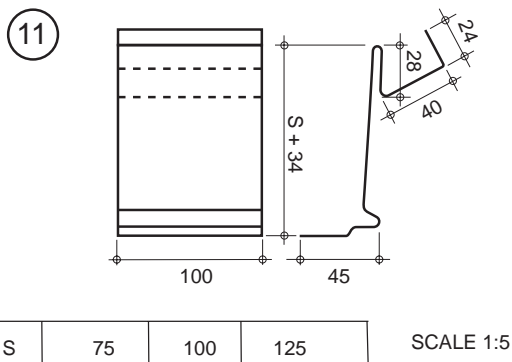
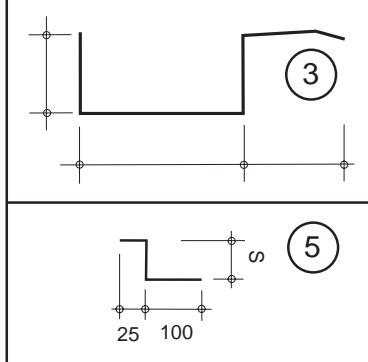
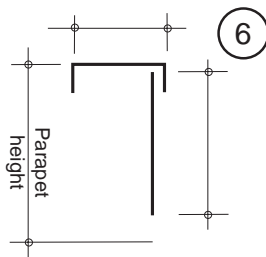
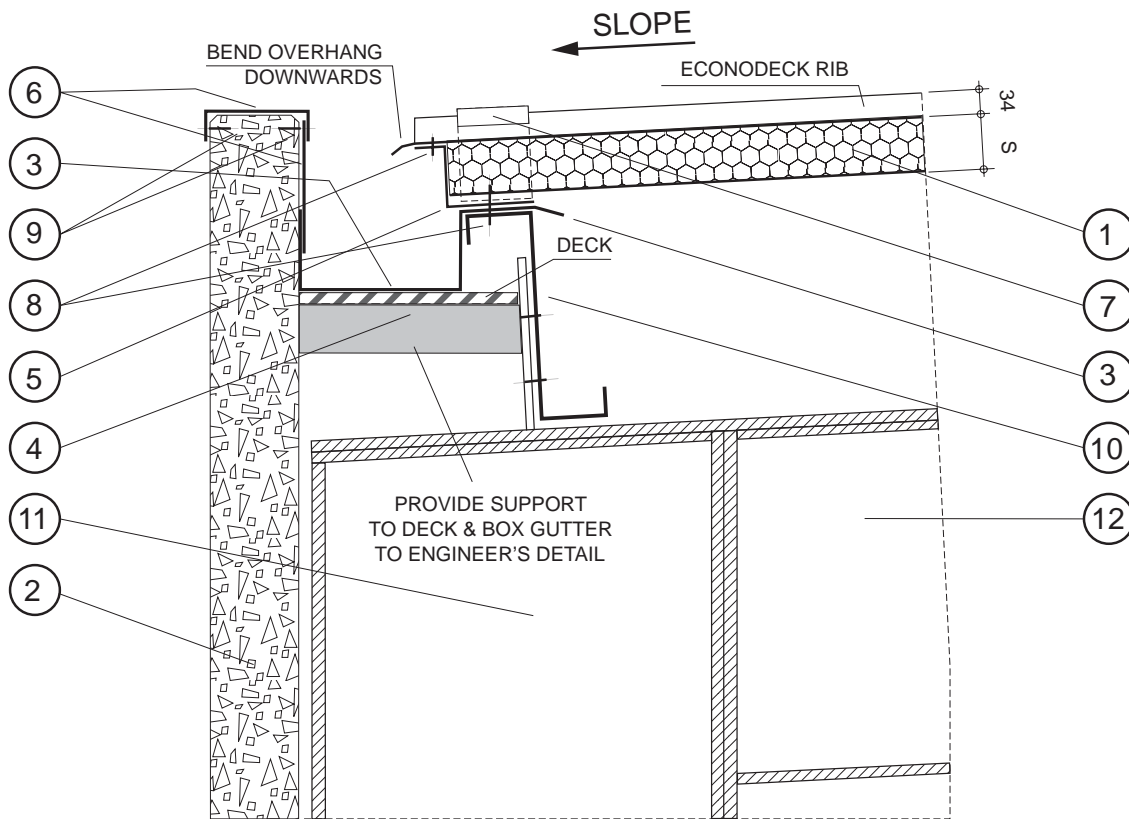


A.8 EPS CORE INSULATED BUILDINGS



S 75 100 125 SCALE 1:5

POS	ITEM & DIMENSIONS	MATERIAL
1	ECONODECK ROOF PANEL S= mm	
2	TILT WALL PANEL (BY OTHERS)	CONCRETE
3	BOX GUTTER metres	COLORBOND
4	SUPPORT to engineer's detail	COLORBOND
5	'Z' FOLD FLASHING metres	COLORBOND
6	PARAPET CAPPING & OVER-FLASHING	COLORBOND
7	ECONODECK CLIP 1mm thickness	GALV. STEEL
8	POP RIVET	
9	PLUG & SCREW	
10	ROOF PURLIN & PLATE	GALV. STEEL
11	PORTAL COLUMN	RSJ
12	PORTAL RAFTER	RSJ



Econodeck® Roof Panel
PARAPET & END WALL
BOX GUTTER DETAIL

06.06.01
SCALE
1:10