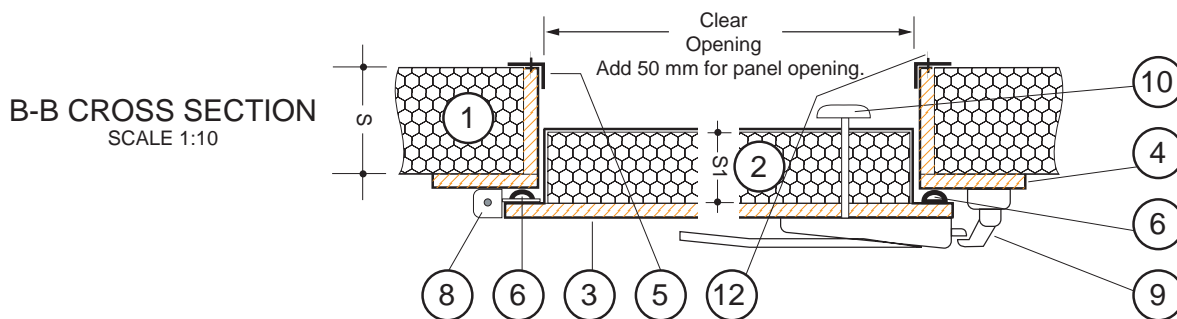
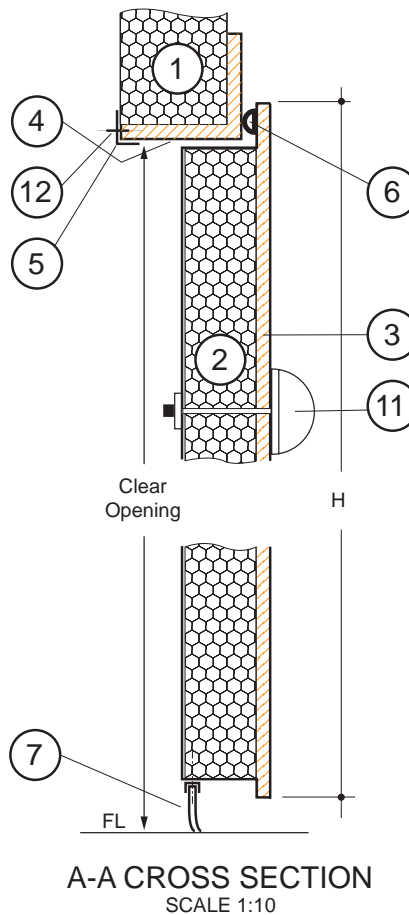
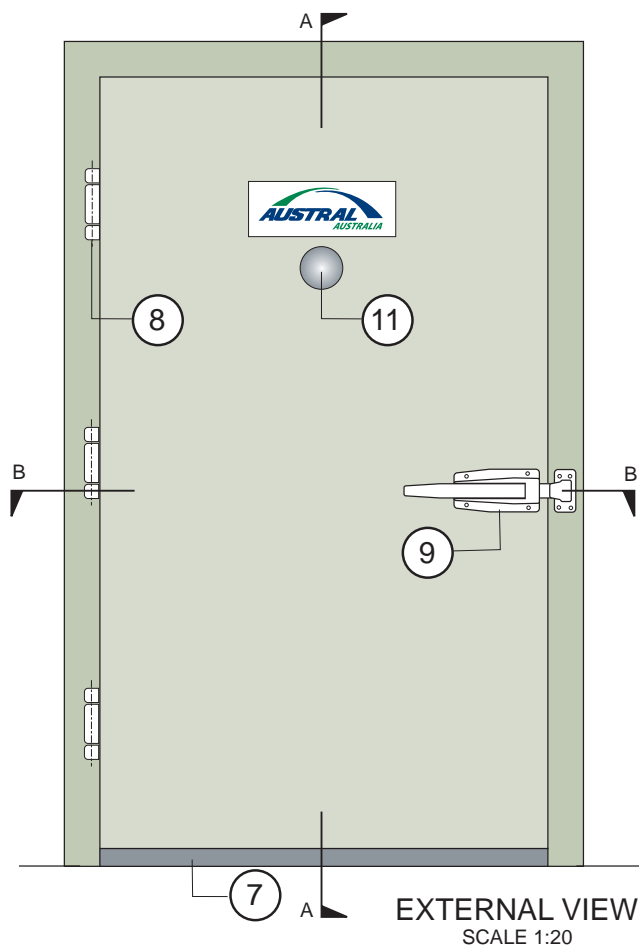


B.30 EPS CORE REFRIGERATED BUILDINGS



1	ECONOTILT PANEL	S= mm	
2	INSULATED CORE PANEL	S1= mm	
3	DOOR SURFACE	Colorbond sheet steel over 19mm Marine (8) ply panel & EPS core (S1)	
4	DOOR FRAME	Colorbond sheet steel over 19mm Marine (8) ply frame	
5	ANGLE	50 x 25 x 2mm	ALUMINIUM
6	PRESSURE SEAL	atchd. to face (3 sides)	MOULDED RUBBER
7	WIPER SEAL	atchd. to face (3 sides) & base	FOLDED RUBBER
8	HINGE	KASON 1245	3 BRUSHED CHROME
9	LATCH & STRIKER PLATE	KASON K56	BRUSHED CHROME
10	INTERNAL SAFETY RELEASE	KASON 481A	PHOSPHORESCENT
11	ALARM BELL	Mechanical)	BRUSHED CHROME
12	POP RIVET mm	
POS	ITEM & DIMENSIONS		MATERIAL



Econotilt™ Panel
SEMI-FLUSH HINGED COOLROOM
DOOR (with integrated frame)

02.08.01
SCALE:
various